

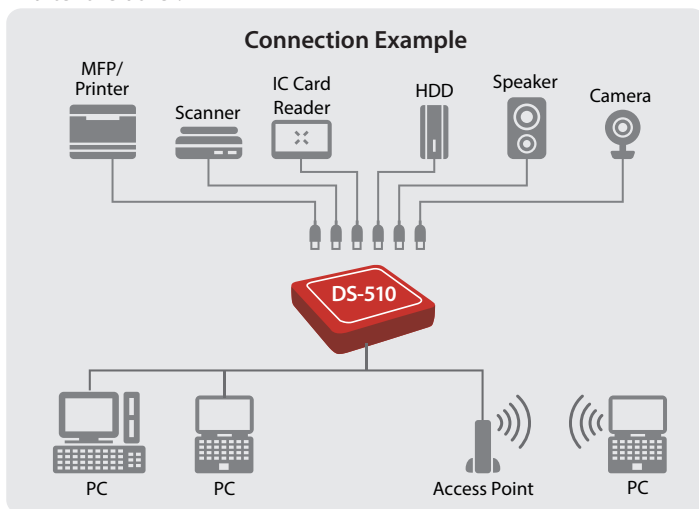
DS-510 Gigabit USB Device Server

The 5. Generation

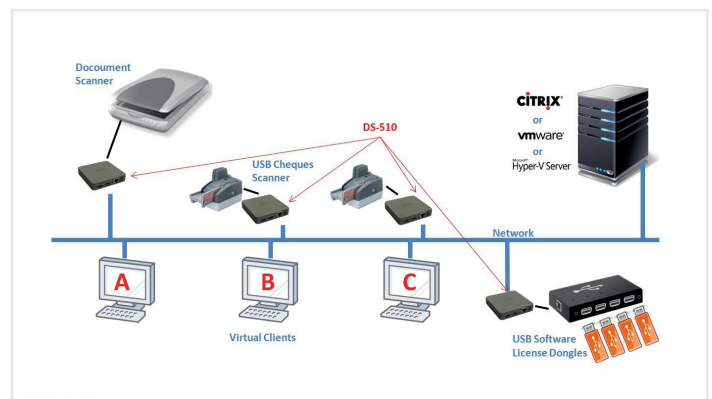


Easily Connect and Share Virtually Any USB Device on a Network

The Silex DS-510 is designed to easily connect and share USB devices over a network. Printers, Scanners, Disk Drives, Dongles, Card Readers, or virtually any other USB device can now be enabled with network capability. It allows flexibility to place the USB device anywhere on the network instead of needing to be attached directly to the computer, and multiple users can access the USB device one after the other.



- **Best Compatibility** with a variety of USB devices over the network, including USB dongles, disk drives, flash drives and other storage media, scanners, printers, digital cameras, USB sound adapters, USB displays, input devices, mixing consoles and many more.
- **Virtual environments:** The USB Device Server is compatible with virtualization programs and environments such as Citrix, VMware, Microsoft Terminal Server and Hyper-V.



Key Features:

- **High-Performance** data throughput due to optimized performance and Gigabit connection. Extremely powerful CPU (800MHz) and two USB Hi-Speed ports (TypeA), which can be extended using a USB hub.
- The **Printer AutoConnect feature** works with the Windows or Macintosh printing system and allows multiple computers to easily share a USB printer over the network by making an automatic connection to the printer. Then it will automatically disconnect after the print job is sent making the printer available to the next user.
- **Isochronous Transfer Mode** USB devices such as Webcams or USB sound cards, which require ongoing data transmission in real time, can also be used in the network environment.
- Drivers and applications that worked when the USB device is directly connected to the computer will continue to work across the network connected to the DS-510. The included Silex SX-Virtual Link software precisely emulates a USB connection on a Windows or Macintosh computer, and then redirects the packets over the network to the USB port of the DS-510.
- **Silex designs, develops, and manufactures** the hardware and software for this product. Silex can provide engineering and customization services including re-branding, OEM, or complete custom product design. A Software Developer Kit (SDK) is available for the client and server software for integration with any application. Please contact Silex for more information.

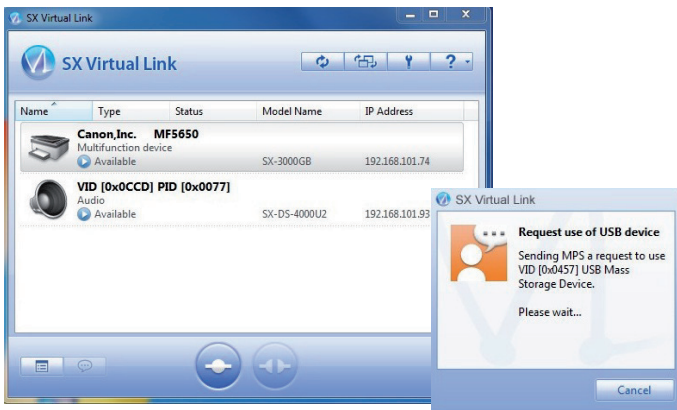


What is SX Virtual Link?

Silex has created software for Windows or Macintosh computers called SX-Virtual Link which precisely emulates a USB port on each of the computers that want to access the USB device over the network. The computers think that they are communicating with the device via a direct USB connection, but they are actually communicating over the network with a Silex USB Device Server product.

What is a USB Device Server?

It is a network device that uses Silex USB Virtual Link technology to allow USB devices to be connected and shared on a network. Virtually any USB device can be used on a network, just as though they were connected with a USB cable.



The software discovers USB Device Servers and USB devices on the network, and the search results are shown in an overview on the main screen.

If another user is already using a shared USB device, a request for use can be sent. It can also be specified that failure to respond to this request will automatically lead to a disconnection after a timeout. This makes it easy to share any USB device over a network in home and business environments.

About Silex

Since 2000, silex technology europe GmbH has been a subsidiary of the Japanese company silex technology, Inc. The parent company in Japan has been involved in development and production since 1973. Thus silex technology can look back on nearly 40 years of experience and quality work. In addition to the central company headquarters in Kyoto, there are locations in Tokyo, the USA, China and Europe.

Today, the silex group is not only a world market leader in integrated network printing technology, but also a leading supplier of connectivity in the areas of USB, serial and WLAN. Many well-known manufacturers of computer peripherals rely on the technologies of silex technology and use them as OEM suppliers for their own products.

Their product line includes print, USB and serial device servers, as well as modular WLAN solutions. In addition to mature technologies and quality products, the company also offers a complete range of services, such as lifetime free support by telephone, email or remote access for all customers.

silex technology is a registered trademark of silex technology, Inc. Other product or brand names may be registered trademarks or trademarks of their respective owners. Technical information and specifications are subject to change without notice. © silex technology, Inc. All rights reserved.

Other USB Device Servers:

SX-DS-3000WAN

USB Device Server up to 300Mbps
802.11 a/b/g/n Wireless LAN

- 10 BASE-T/100 BASE-T/1000 BASE-T (automatic detection)
- IEEE802.11 a/b/g/n
- 2x USB 2.0 Hi-Speed-Ports



Win Mac

Specifications:

Product Name	DS-510
Article number	E1293 (EU), E1305 (UK)
Wired LAN	10BASE-T, 100BASE-TX, 1000BASE-T
Device Interface	2 x USB 2.0 Hi-Speed (type A)*
Protocols Supported	TCP/IP
Operating Systems Supported	Windows 8.1,8,7 (32/64bit), Vista (32/64bit), XP, 2000, Windows Server 2012,208,2003 (32/64bit - R1/R2). * MacOS X [PowerPC : Ver 10.3x ~ Ver 10.5x Intel : Ver 10.4.4 ~ Ver 10.10.x] *
Configuration	Setup utility (Device Server Setup), Web browser, TELNET
Dimensions	W:100mm x D:100mm x H:25.5mm (body only)
Weight	96g (main body only)
Power Supply	AC 100-120V 50/60Hz, DC 5V 2.5A
Maximum Power Consumption	2.5W (DC5V 0.5A) not including USB bus power
Regulatory Compliance	VCCI Class B / FCC Class B / CE Class B

* Silex designs, develops, and manufactures the hardware and software for this product. Silex can provide engineering and customization services including re-branding, OEM, or complete custom product design. A Software Developer Kit (SDK) is available for the client and server software for integration with any application. Please contact Silex for more information.

Global marketing and support locations:



Europe
silex technology europe GmbH
+49-2151-65009-10
Toll-free hotline in Germany:
0800-7453938
www.silexeurope.com
> contact@silexeurope.com

Japan
silex technology, Inc.
+81-774-98-3782
www.silex.jp
> support@silex.jp

USA
silex technology america, Inc.
+1-801-747-0656
Kostenfreie Hotline USA:
866-765-8761
www.silexamerica.com
> contact@silexamerica.com

China
silex technology beijing, Inc.
+86-10-8497-1430
www.silex.com.cn
> contact@silex.com.cn

